

INDUCTION ELECTRIC MOTORS TYPE 4MTH-280,315



Induction three-phase squirrel-cage rotor motors type 4MTH-280, 315 are designed for driving cranes, hoists and auxiliary mechanisms in the metallurgical industry.

Motors are designed for operation at a voltage of 220/380, 380/660 V from the 50 Hz AC mains.

Climatic versions - U1.

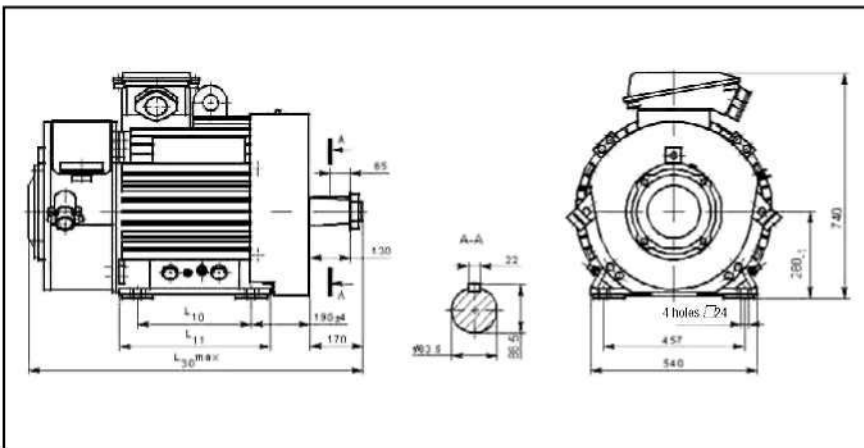
The rated duty: 4MTH - S3.

Type of construction - IM1003, IM1004 with one or two free shaft extensions.

Specifications for electric motors series 4MTH-280, 315

Type	Power, kW	Synchronous speed of rotation, rpm	Efficiency, %	cosφ, o.e.	Stator current, A	Rotor current, A	U, V	maximum moment to the rated moment ratio, r.u.
4MTH280S-10U1	45	600	86,5	0,72	189/109	182	166	2,9
4MTH315S-10U1	45	600	87,0	0,75	104/60	190	158	2,8
4MTH280M-10U1	60	600	89,0	0,73	242/140	181	218	3,0
4MTH315M-10U1	60	600	87,4	0,73	142/82	183	220	3,0
4MTH280L-10U1	75	600	89,2	0,73	300/173	180	273	3,0
4MTH315L-10U1	75	600	88,7	0,74	171/99	182	271	3,0

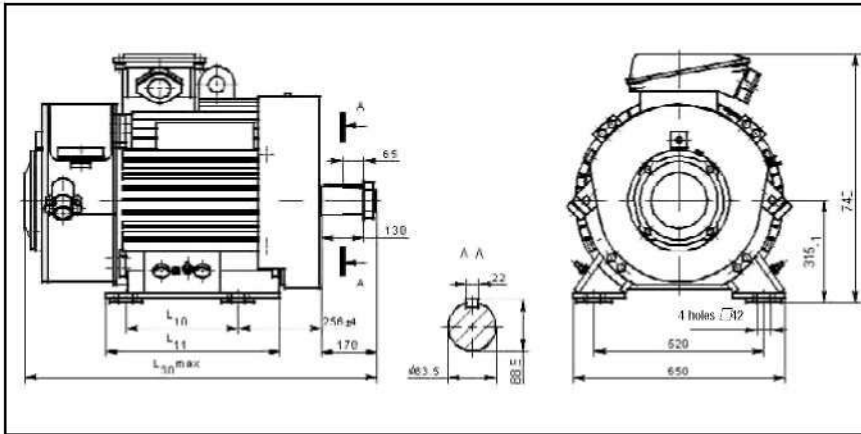
Overall, mounting, connecting dimensions and mass of the motors type 4MTH-280, IM1003



Type	l ₁₀	l ₁₁	l ₃₀	Mass, kg
4MTH280S-10U1	368	488	1100	735
4MTH315S-10U1	368	488	1100	740
4MTH280M-10U1	419	539	1180	860
4MTH315M-10U1	419	539	1180	850
4MTH280L-10U1	457	577	1270	950
4MTH315L-10U1	457	577	1270	955

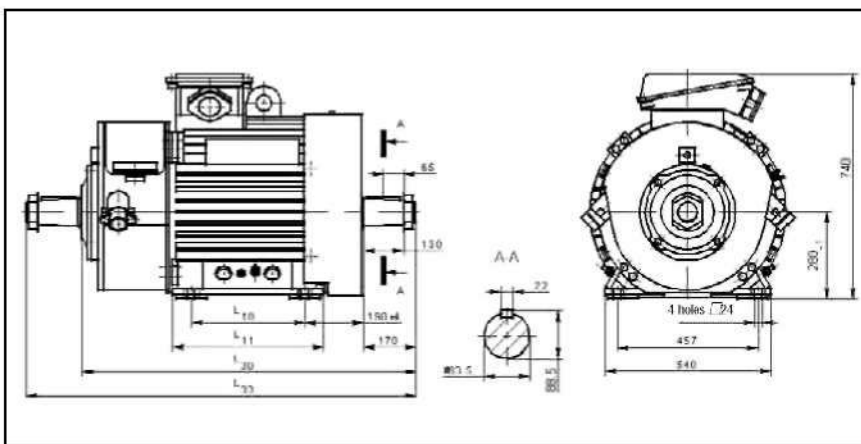
INDUCTION ELECTRIC MOTORS TYPE 4MTH-280,315

Overall, mounting, connecting dimensions and mass of the motors type 4MTH-315, IM1003



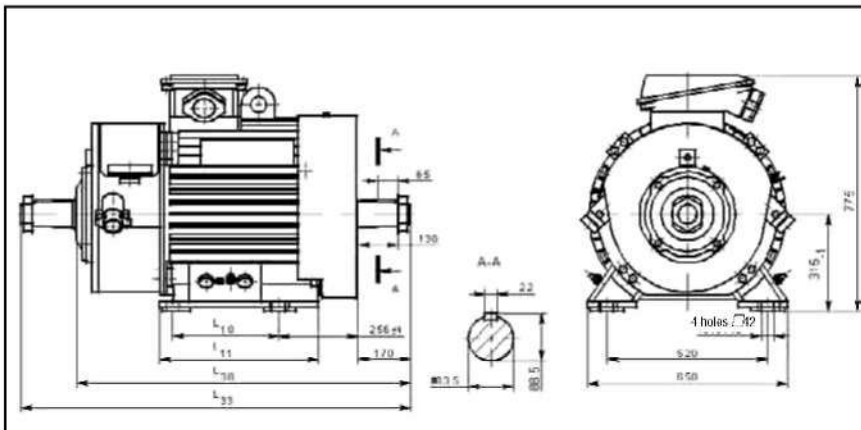
Type	l ₁₀	l ₁₁	l ₃₀	Mass, kg
4MTH280S-10U1	345	531	1100	825
4MTH315S-10U1	345	531	1100	830
4MTH280M-10U1	445	631	1180	955
4MTH315M-10U1	445	631	1180	940
4MTH280L-10U1	540	726	1270	1080
4MTH315L-10U1	540	726	1270	1075

Overall, mounting, connecting dimensions and mass of the motors type 4MTH-280, IM1004



Type	l ₁₀	l ₁₁	l ₃₀	Mass, kg
4MTH280S-10U1	368	488	1082	750
4MTH315S-10U1	368	488	1082	755
4MTH280M-10U1	419	539	1162	875
4MTH315M-10U1	419	539	1162	865
4MTH280L-10U1	457	577	1252	975
4MTH315L-10U1	457	577	1252	970

Overall, mounting, connecting dimensions and mass of the motors type 4MTH-315, IM1004



Type	l ₁₀	l ₁₁	l ₃₀	Mass, kg
4MTH280S-10U1	345	531	1082	840
4MTH315S-10U1	345	531	1082	845
4MTH280M-10U1	445	631	1162	970
4MTH315M-10U1	445	631	1162	965
4MTH280L-10U1	540	726	1252	1095
4MTH315L-10U1	540	726	1252	1090