

INDUCTION ELECTRIC MOTORS TYPE DAZO4



Induction three-phase squirrel-cage rotor motors series DAZO4 are designed for driving mechanisms without speed regulation (pumps, fans, smoke exhausters and so on). Motors are designed for operation at a voltage of 3000 V, 6000 V and 10000 V from the 50 Hz AC mains.

The motors for 3000 V will have dimensions of the 6000 V motors and the same power. The 3000 V motors have a current twice that of the 6000 V motors.

Climatic versions of motors voltage of 3000 V and 6000V - U1, T2.

Climatic versions of motors voltage of 10000 V - U1.

The rated duty - continuous S1.

Type of construction - IM1001. Cooling method - ICA01A61.

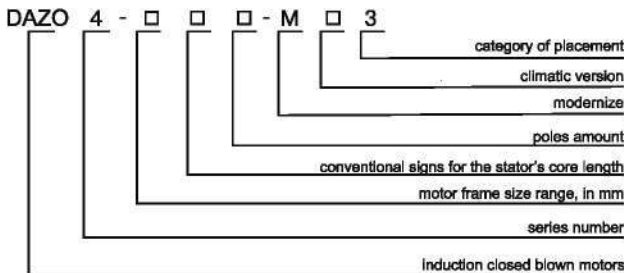
Degree of motor protection - IP54, terminal boxes IP55, external ventilator - IP21

Direct-on-line starting of the motor is ensured at the rated mains voltage as well as at the drop of mains voltage during starting up to 0.8 Unom. Motors allow two successive startings when cold or one starting when heated. Subsequent startings should be made with at least three hours intervals, number of startings not more than 10000 for service life, but not more than 500 startings during a year.

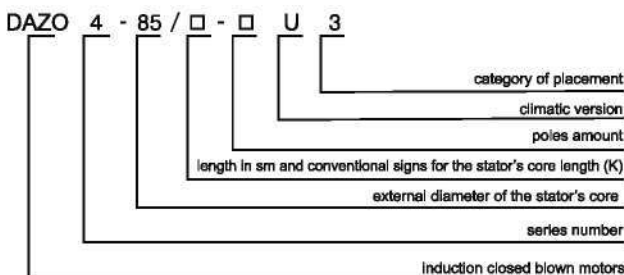
Motors are equipped with grease lubricated rolling-contact bearings. The temperature control for the bearings is provided by resistance thermotransformers. Motors are coupled with the driven mechanism with a help of flexible coupling. The stator winding insulation is of thermostetting type "Monolit-2". Type of heat resistance is not lower than "B". Stator winding has six leads brought out to four insulators in the terminal box. Stator windings are star-connected. The temperature control for stator winding and core is provided by six resistance thermotransformers put into the stator slots.

Motors allow both clockwise and counterclockwise rotation. The reversal is from a stand-still.

Conventional signs structure for motors series DAZO4 of voltage 6 kV



Conventional signs structure for motors series DAZO4 of voltage 10 kV



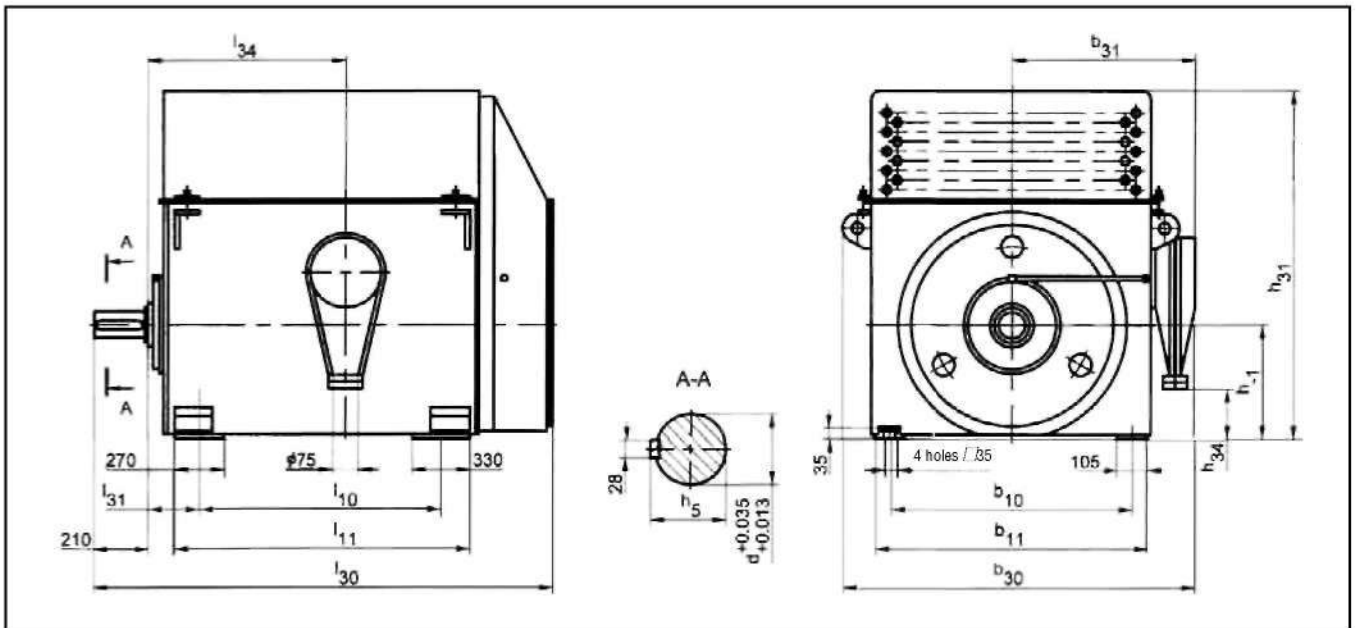
INDUCTION ELECTRIC MOTORS TYPE DAZO4

Specifications for electric motors series DAZO4 of voltage 6 kV

Type	Power, kW	Synchronous speed of rotation, rpm	U, V	Efficiency, %	cosφ, o.e.	Stator current, A	Mmax Mnom	Ms Mnom	Iki Inom	Mass moment of inertia, kgm ²	
										of rotor	of mechanism, admissible
DAZO4-400XK-4MU1	315	1500	6000	93,7	0,86	38	2,8	1,3	7	44	680
DAZO4-400X-4MU1	400	1500	6000	94,2	0,87	47	2,8	1,3	7	48	920
DAZO4-400Y-4MU1	500	1500	6000	94,8	0,87	58,5	2,8	1,5	7	56	1120
DAZO4-450X-4MU1	630	1500	6000	94,7	0,87	74	2,5	1,2	7	88	1200
DAZO4-450Y-4MU1	800	1500	6000	95	0,88	92	2,6	1,3	7	104	1400
DAZO4-400XK-6MU1	250	1000	6000	93,2	0,83	31	2,5	1,3	6,5	64	1200
DAZO4-400X-6MU1	315	1000	6000	93,9	0,85	38	2,5	1,3	6,5	76	1400
DAZO4-400Y-6MU1	400	1000	6000	94,2	0,85	48	2,5	1,3	6,5	88	2400
DAZO4-450X-6MU1	500	1000	6000	94,4	0,85	60	2,4	1,3	6,5	132	3000
DAZO4-450Y-6MU1	630	1000	6000	94,7	0,85	75	2,4	1,3	6,5	156	3600
DAZO4-400X-8MU1	200	750	6000	92,5	0,77	27	2,3	1,2	6	80	2000
DAZO4-400Y-8MU1	250	750	6000	93	0,79	32,5	2,4	1,2	6	92	2400
DAZO4-450X-8MU1	315	750	6000	93,4	0,8	40,5	2,4	1,2	6	148	3200
DAZO4-450YK-8MU1	400	750	6000	93,8	0,81	50,5	2,3	1,2	6	172	5200
DAZO4-450Y-8MU1	500	750	6000	94,2	0,82	62	2,3	1,2	6	200	6000
DAZO4-400Y-10MU1	200	600	6000	92	0,74	28	2,3	1,3	6	92	3200
DAZO4-450X-10MU1	250	600	6000	92,5	0,78	33	2,3	1,3	6	152	6000
DAZO4-450Y-10MU1	315	600	6000	93	0,8	41	2,3	1,3	6	172	6000
DAZO4-450X-12MU1	200	500	6000	91,7	0,75	28	2,3	1,3	5,5	164	7600
DAZO4-450Y-12MU1	250	500	6000	92,2	0,75	35	2,3	1,3	5,5	184	10000
DAZO4-400XK-4MT2	250	1500	6000	93	0,87	30	2,7	1,1	7,1	44	500
DAZO4-400X-4MT2	315	1500	6000	93,6	0,89	36,5	2,6	1,1	6,6	48	680
DAZO4-400Y-4MT2	400	1500	6000	94,2	0,89	45,5	2,4	1,1	6,6	56	920
DAZO4-450X-4MT2	500	1500	6000	94	0,88	58	2,6	1,1	7	88	1000
DAZO4-450Y-4MT2	630	1500	6000	94,7	0,89	72	2,2	1	6,5	104	1200
DAZO4-400XK-6MT2	200	1000	6000	92,6	0,84	24,7	2,2	1,2	6,5	64	1400
DAZO4-400X-6MT2	250	1000	6000	93	0,86	30	2,4	1,2	6,5	76	1800
DAZO4-400Y-6MT2	315	1000	6000	93,6	0,84	38,6	2,2	1,2	6,5	88	2400
DAZO4-450X-6MT2	400	1000	6000	94,2	0,85	48	2,2	1,2	6,5	132	2800
DAZO4-450Y-6MT2	500	1000	6000	94,5	0,86	59,5	2,4	1,2	6,6	156	3400
DAZO4-400X-8MT2	160	750	6000	92	0,77	21,7	2,4	1,3	6,5	80	1800
DAZO4-400Y-8MT2	200	750	6000	92,6	0,79	26,3	2,2	1,3	6,5	92	2200
DAZO4-450X-8MT2	250	750	6000	93,3	0,81	32	2,4	1,2	6	148	2400
DAZO4-450YK-8MT2	315	750	6000	93,4	0,83	39	2,2	1,1	5,6	172	5200
DAZO4-450Y-8MT2	400	750	6000	93,5	0,81	51	2,3	1,2	6	200	5600
DAZO4-450X-10MT2	200	600	6000	92	0,81	26	2,3	1,2	6	152	4000
DAZO4-450Y-10MT2	250	600	6000	92,5	0,8	32,5	2,3	1,3	6	172	6000

INDUCTION ELECTRIC MOTORS TYPE DAZ04

Overall, mounting, connecting dimensions of the motors series DAZ04 of voltage 6 kV



Type	b ₁₀	b ₁₁	b ₃₀	b ₃₁	d	l ₁₀	l ₁₁	l ₃₀	l ₃₁	l ₃₄	h	h ₅	h ₃₁	h ₃₄	Mass, kg
DAZ04-400XK-4M	800	940	1320	710	100	900	1140	1775	200	740	400	106	1270	100	2190
DAZ04-400X-4M	800	940	1320	710	100	900	1140	1775	200	740	400	106	1270	100	2330
DAZ04-400Y-4M	800	940	1320	710	100	1000	1240	1875	200	840	400	106	1270	100	2630
DAZ04-400XK-6M	800	940	1320	710	100	900	1140	1775	200	740	400	106	1270	100	2220
DAZ04-400X-6M	800	940	1320	710	100	900	1140	1775	200	740	400	106	1270	100	2380
DAZ04-400Y-6M	800	940	1320	710	100	1000	1240	1875	200	840	400	106	1270	100	2650
DAZ04-400X-8M	800	940	1320	710	100	900	1140	1775	200	740	400	106	1270	100	2340
DAZ04-400Y-8M	800	940	1320	710	100	1000	1240	1875	200	840	400	106	1270	100	2610
DAZ04-400Y-10M	800	940	1320	710	100	1000	1240	1875	200	840	400	106	1270	100	2590
DAZ04-450X-4M	900	1040	1420	760	110	900	1190	1825	224	790	450	116	1475	205	2900
DAZ04-450Y-4M	900	1040	1420	760	110	1000	1290	1925	224	890	450	116	1475	205	3300
DAZ04-450X-6M	900	1040	1420	760	110	900	1190	1825	224	790	450	116	1475	205	2950
DAZ04-450Y-6M	900	1040	1420	760	110	1000	1290	1925	224	890	450	116	1475	205	3350
DAZ04-450X-8M	900	1040	1420	760	110	900	1190	1825	224	790	450	116	1475	205	2870
DAZ04-450YK-8M	900	1040	1420	760	110	1000	1290	1925	224	890	450	116	1475	205	3200
DAZ04-450Y-8M	900	1040	1420	760	110	1000	1290	1925	224	890	450	116	1475	205	3470
DAZ04-450X-10M	900	1040	1420	760	110	900	1190	1825	224	790	450	116	1475	205	2770
DAZ04-450Y-10M	900	1040	1420	760	110	1000	1290	1925	224	890	450	116	1475	205	3100
DAZ04-450X-12M	900	1040	1420	760	110	900	1190	1825	224	790	450	116	1475	205	2860
DAZ04-450Y-12M	900	1040	1420	760	110	1000	1290	1925	224	890	450	116	1475	205	3120

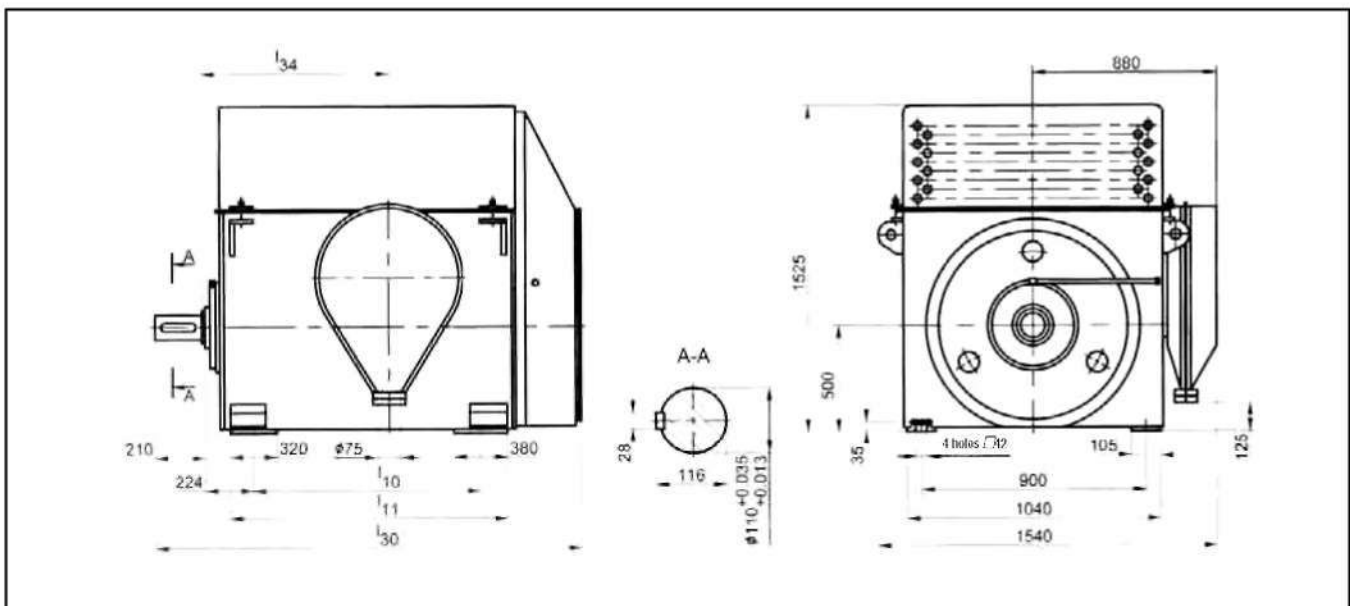
Dimensions in mm

INDUCTION ELECTRIC MOTORS TYPE DAZO4

Specifications for electric motors series DAZO4 of voltage 10 kV

Type	Power, kW	Synchronous speed of rotation, rpm	U, V	Efficiency, %	cosφ, o.e.	Statot current, A	Mmax / Mnom	Ms / Mnom	Ikl / Inom	Mass moment of Inertia, kgm ²	
										of rotor	of mechanism, admissible
DAZO4-85/37K-4U1	315	1500	10000	92.6	0.85	23	2	1.2	7	84	680
DAZO4-85/37-4U1	400	1500	10000	93	0.86	29	2	1	7	84	920
DAZO4-85/43-4U1	500	1500	10000	93.6	0.85	36	2.2	1.2	7	96	1120
DAZO4-85/49-4U1	630	1500	10000	94.1	0.86	45	2	1.2	7	107	1200
DAZO4-85/55-4U1	800	1500	10000	94.6	0.86	57	2	1.2	7	118	1400
DAZO4-85/40-6U1	315	1000	10000	93.3	0.8	24.4	2.3	1.3	6.2	140	2300
DAZO4-85/51-6U1	400	1000	10000	93.9	0.81	30.4	2.4	1.3	6.5	176	3000
DAZO4-85/54-6U1	500	1000	10000	94.2	0.83	37.0	2.3	1.2	5.8	188	3200
DAZO4-85/59-6U1	630	1000	10000	94.4	0.83	46.4	2.2	1.2	5.8	204	3450
DAZO4-85/51-8U1	315	750	10000	93.3	0.77	25.3	2.2	1.2	5.4	176	4900
DAZO4-85/62-8U1	400	750	10000	93.8	0.77	32	2.2	1.2	5.4	212	6000

Overall, mounting, connecting dimensions of the motors series DAZO4 of voltage 10 kV



Type	l_{10}	l_{11}	l_{30}	l_{34}	Mass, kg
DAZO4-85/37K-4U1	1000	1340	1975	870	2820
DAZO4-85/37-4U1	1000	1340	1975	870	2820
DAZO4-85/43-4U1	1000	1340	1975	870	3065
DAZO4-85/49-4U1	1120	1460	2095	990	3325
DAZO4-85/55-4U1	1120	1460	2095	990	3530
DAZO4-85/40-6U1	1000	1340	1975	870	2800

Type	l_{10}	l_{11}	l_{30}	l_{34}	Mass, kg
DAZO4-85/51-6U1	1120	1460	2095	990	3300
DAZO4-85/54-6U1	1120	1460	2095	990	3400
DAZO4-85/59-6U1	1120	1460	2095	990	3600
DAZO4-85/51-8U1	1000	1340	1975	870	2900
DAZO4-85/62-8U1	1120	1460	2075	990	3750